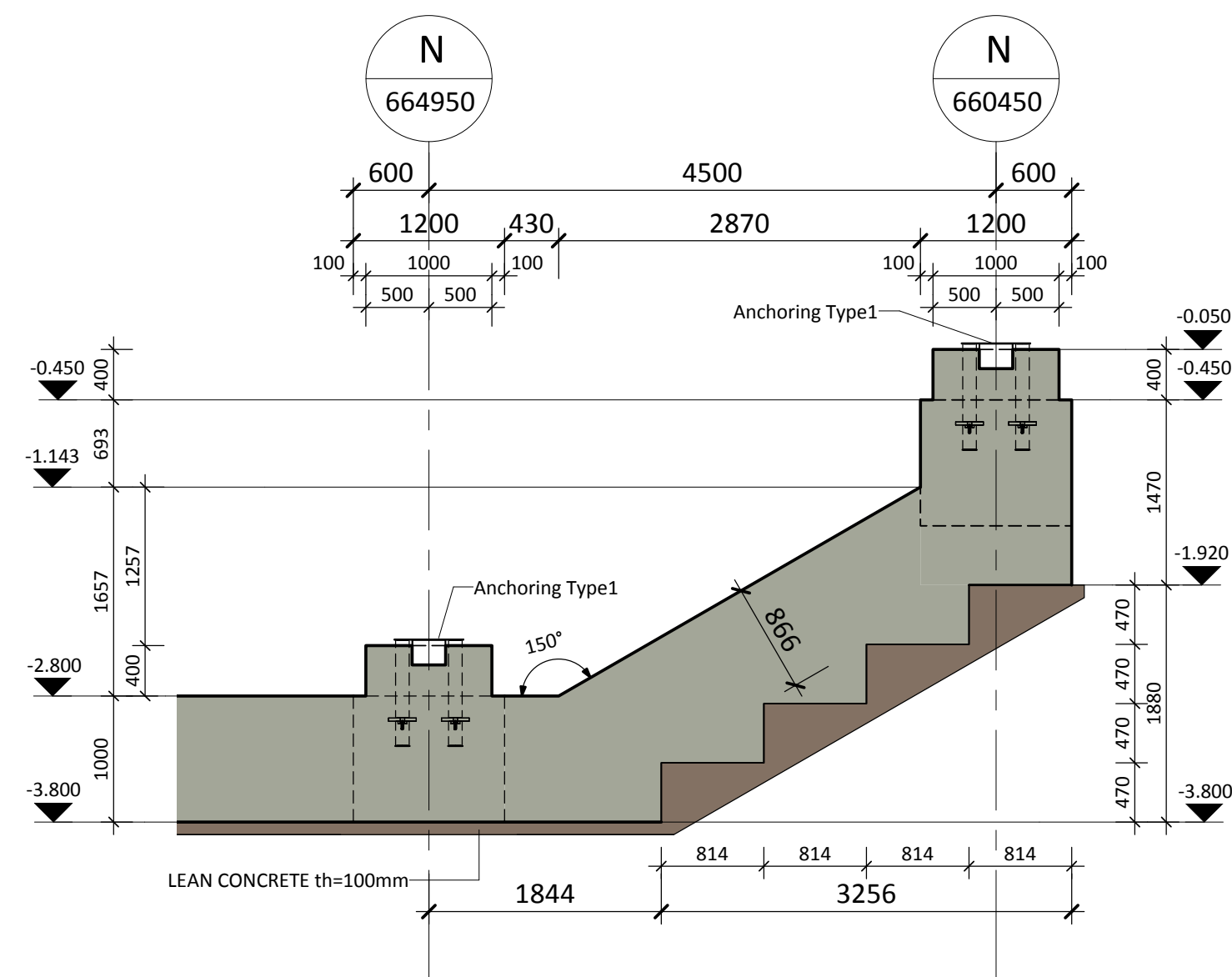
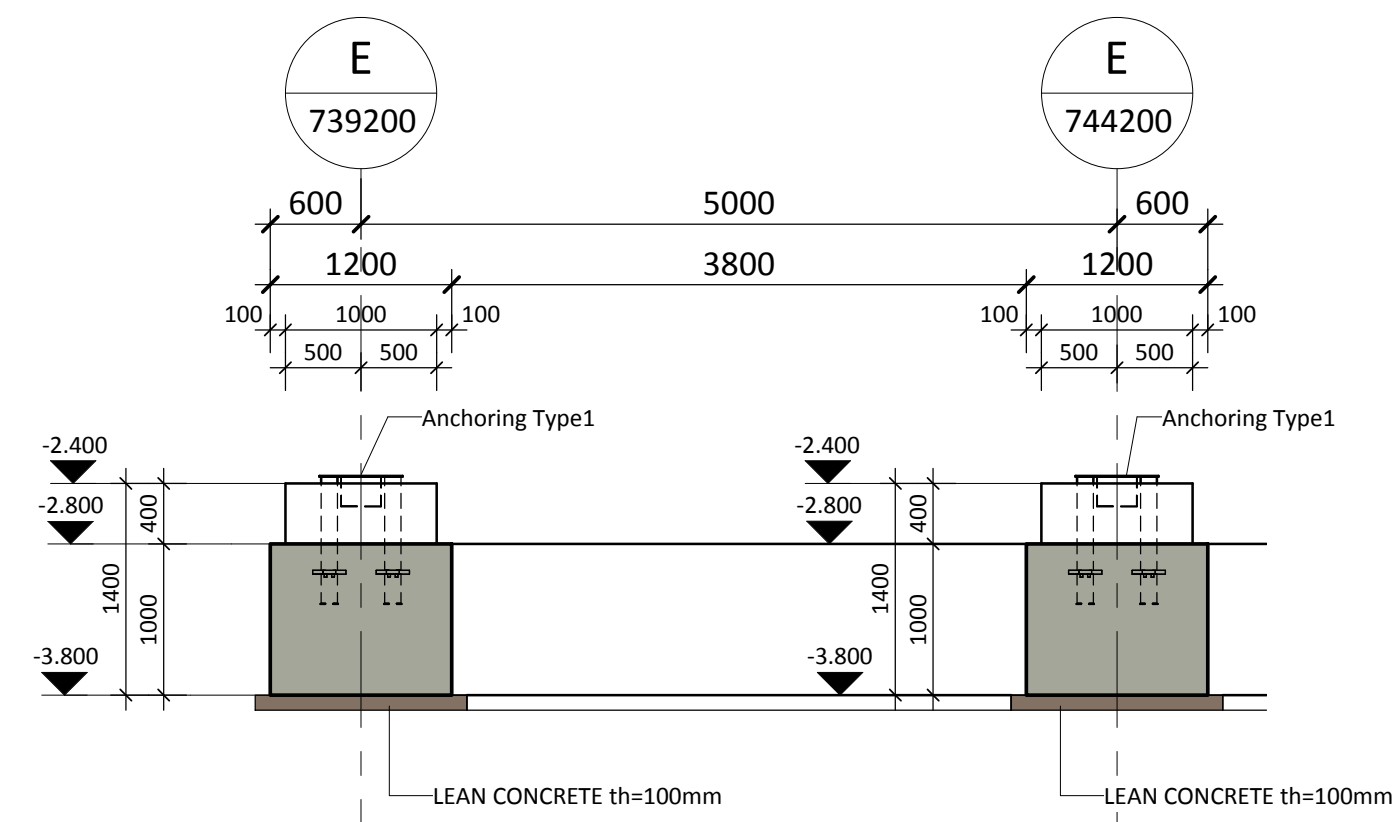


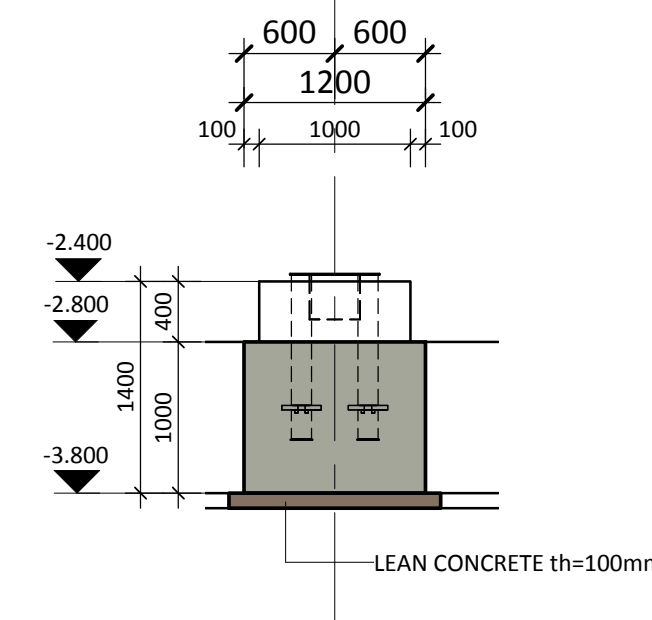
6 Section 6-6
1 : 50



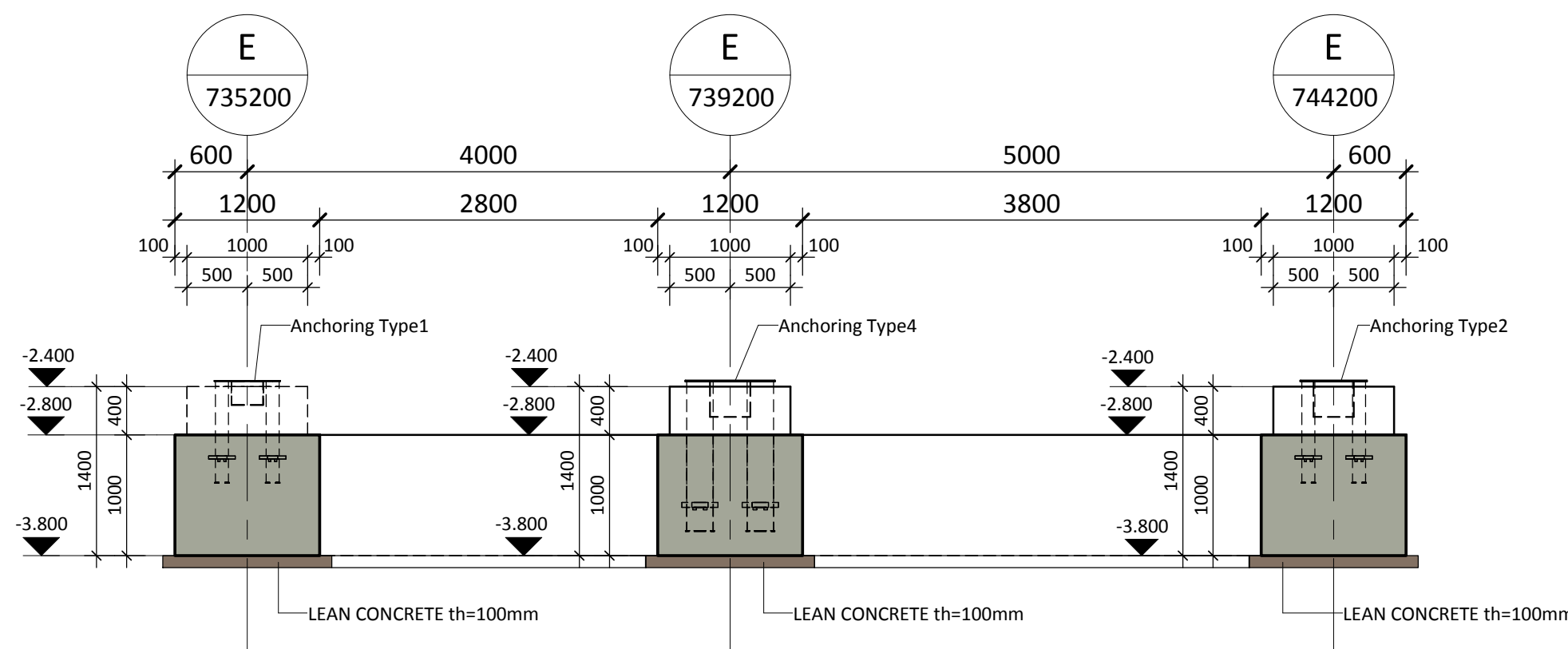
7 Section 7-7
1 : 50



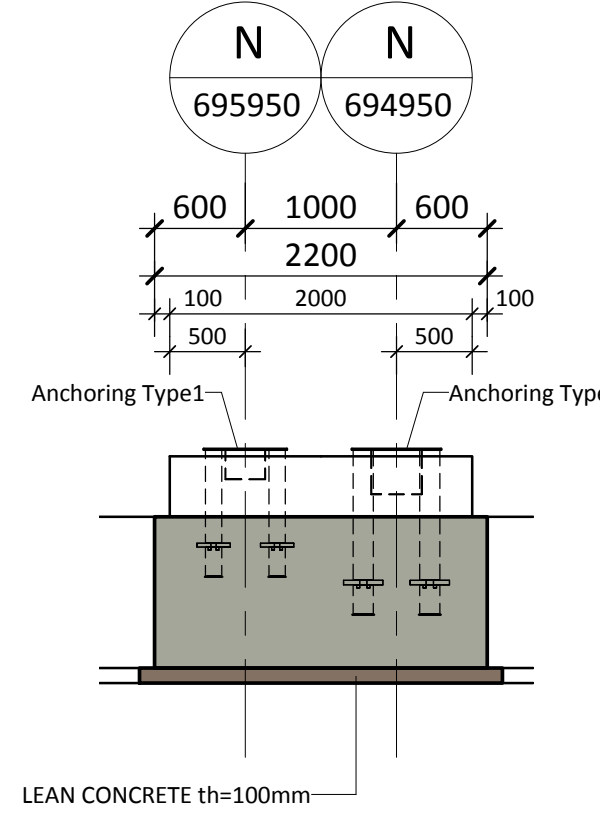
9 Section 9-9
1 : 50



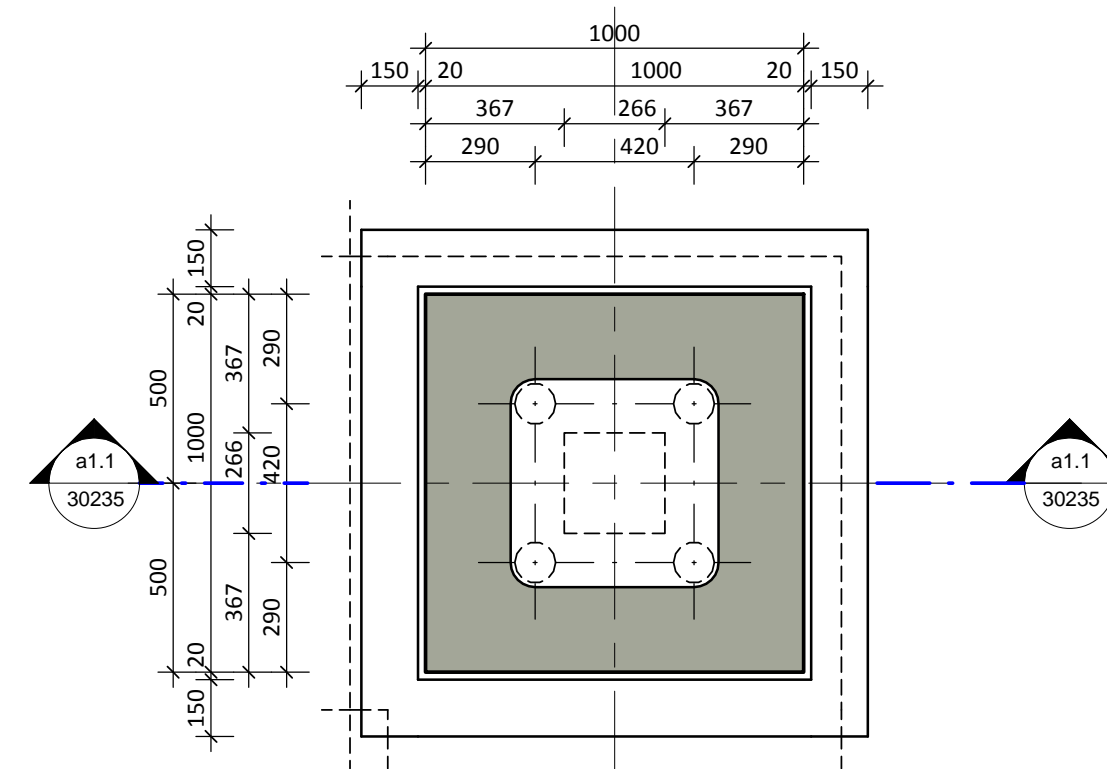
8 Section 8-8
1 : 50



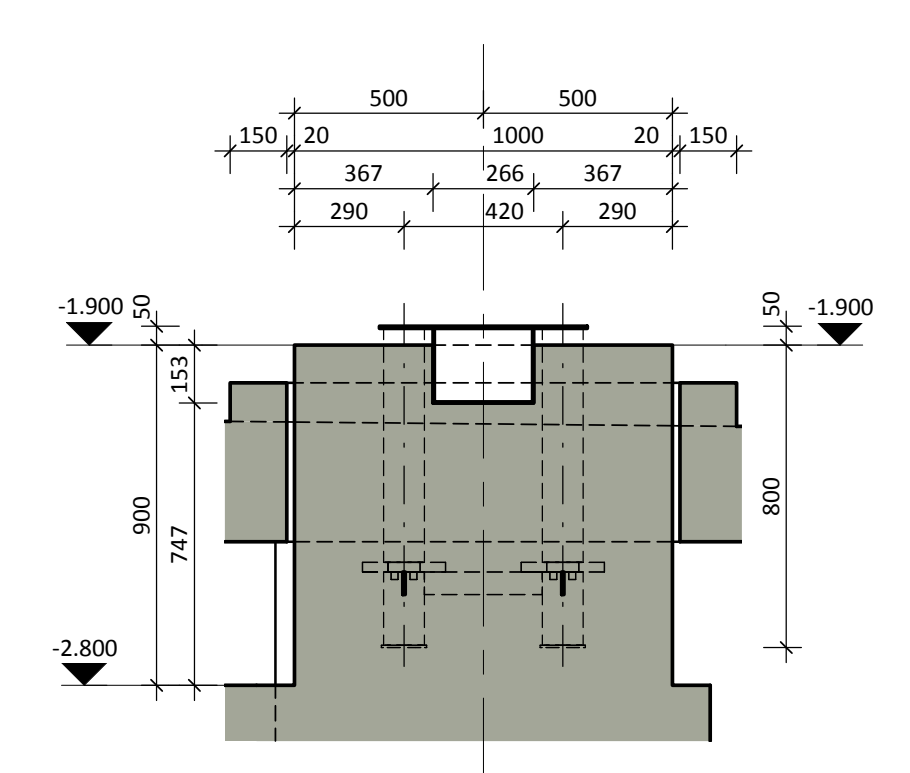
1 Section 10-10
1 : 50



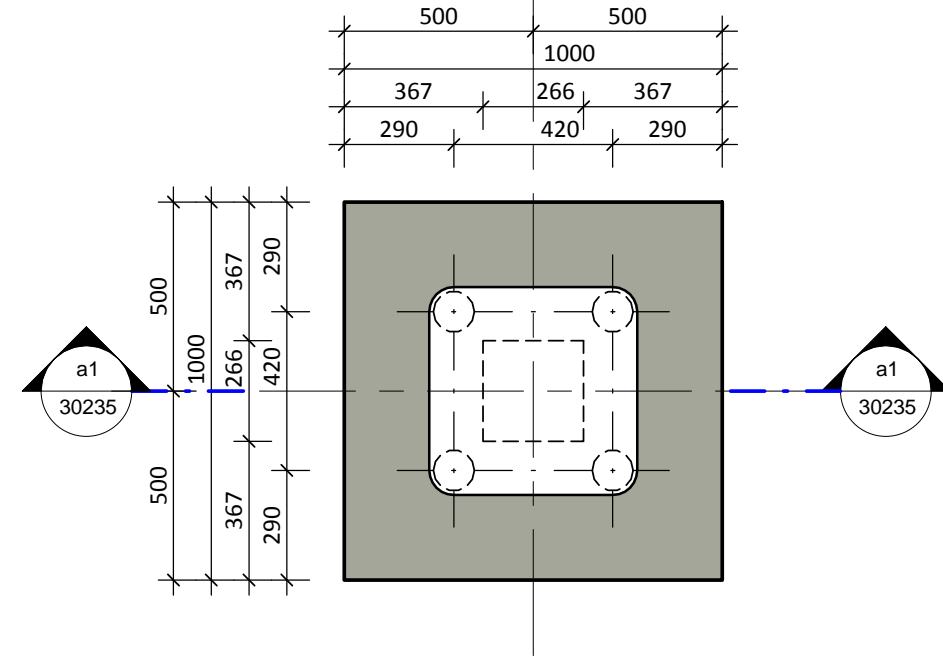
A1.1 Anchoring Type1.1
1 : 20



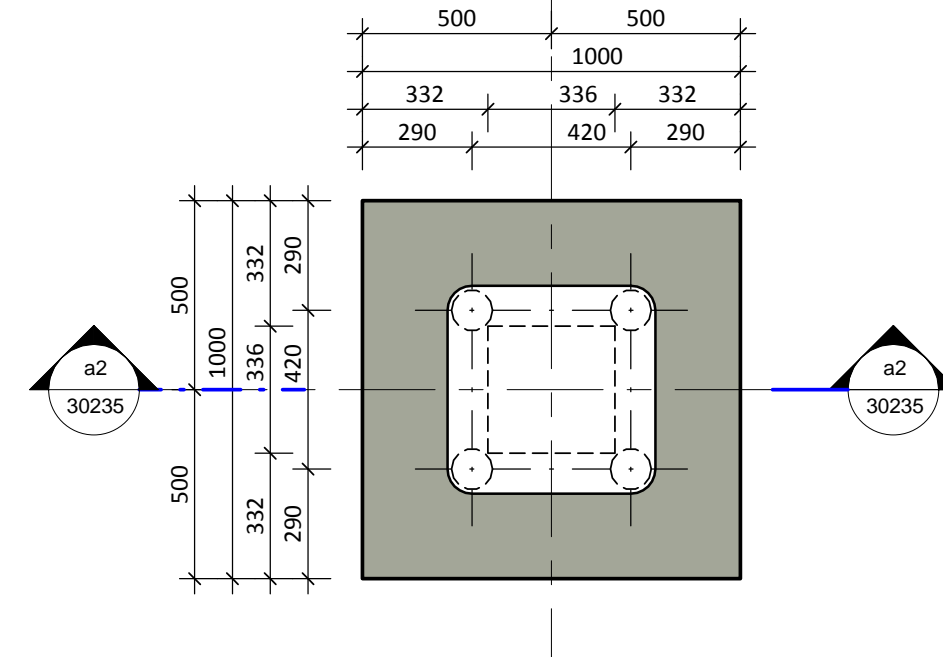
a1.1 Section a1.1-a1.1
1 : 20



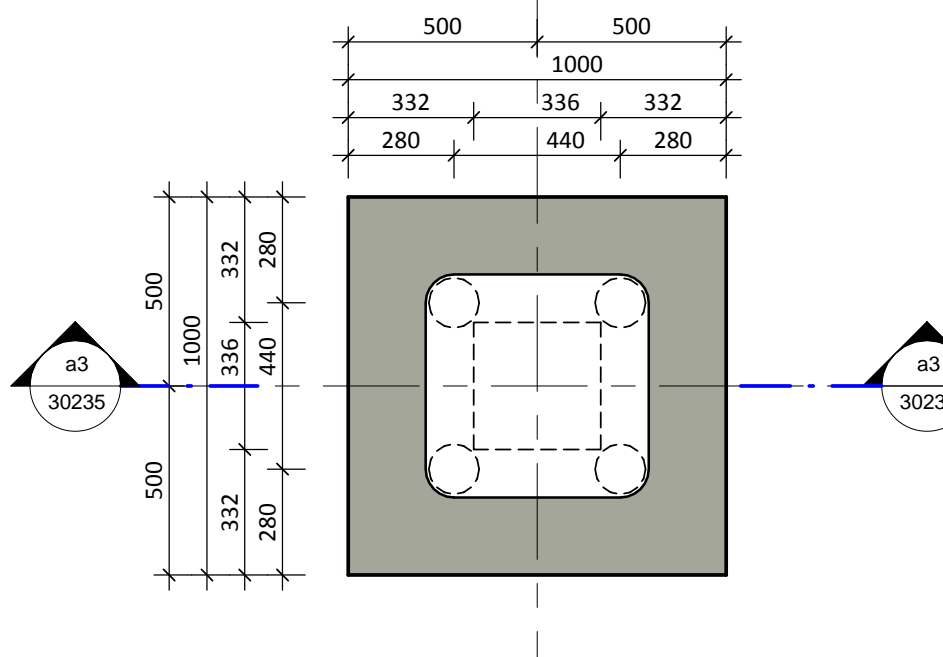
A1 Anchoring Type1
1 : 20



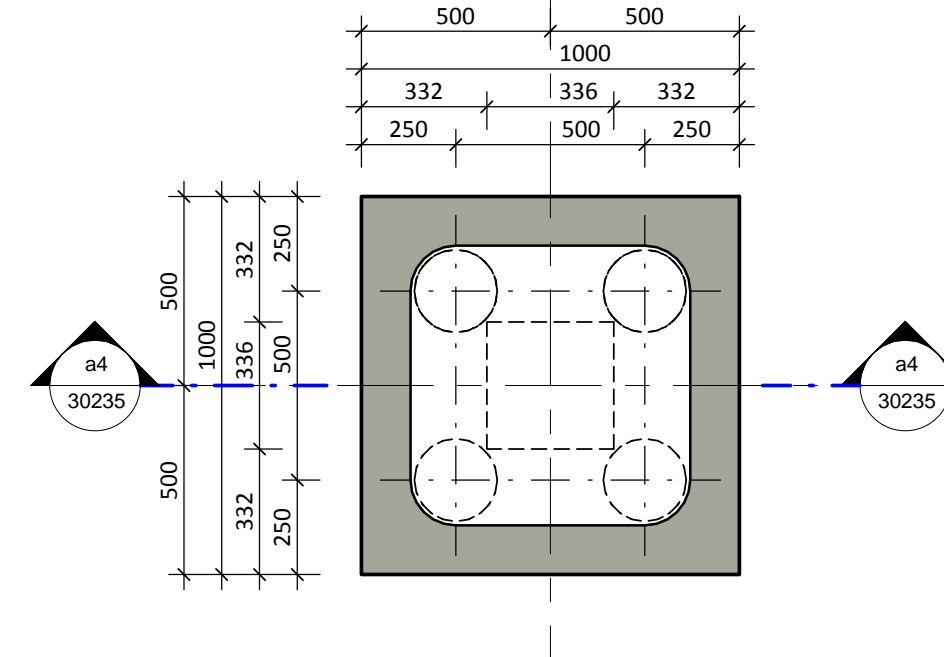
A2 Anchoring Type2
1 : 20



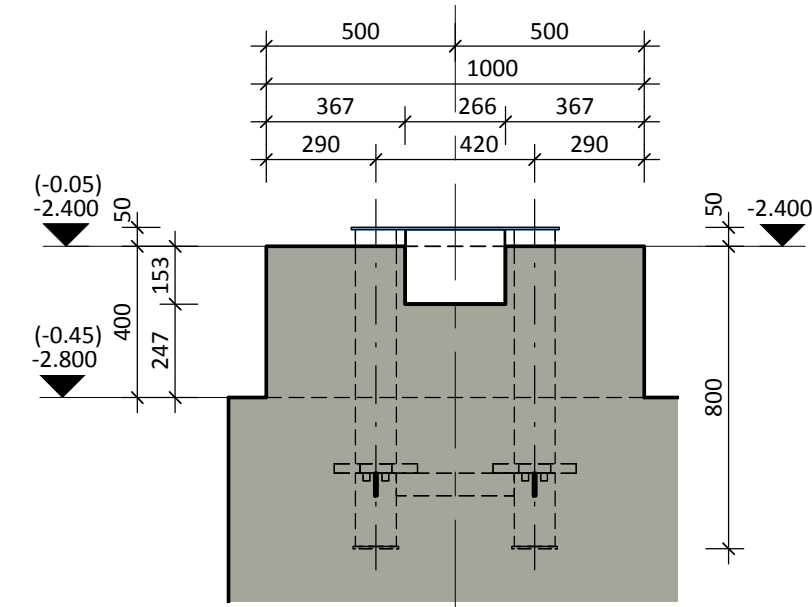
A3 Anchoring Type3
1 : 20



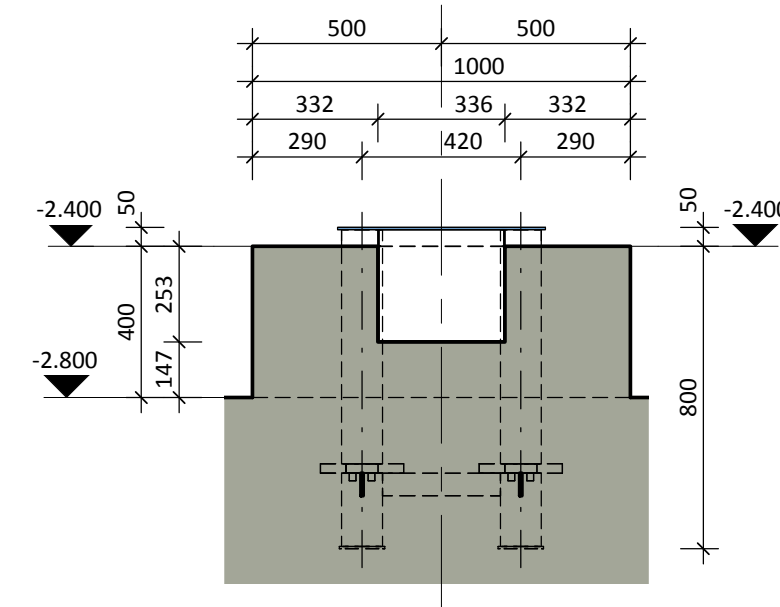
A4 Anchoring Type4
1 : 20



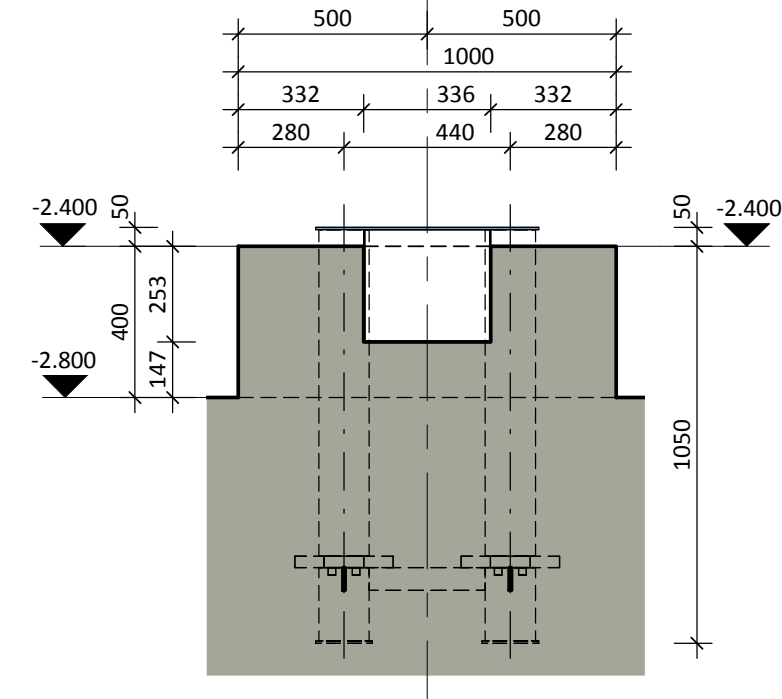
a1 Section a1
1 : 20



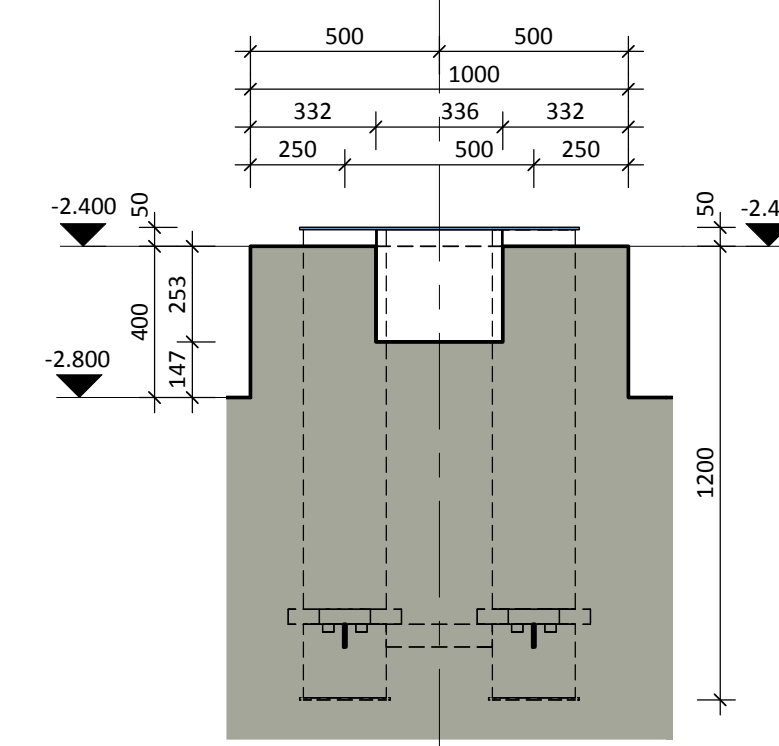
a2 Section a2-a2
1 : 20



a3 Section a3-a3
1 : 20



a4 Section a4-a4
1 : 20



Legend

- Concrete C30/37
- Lean Concrete
- +1.000 Top of Concrete (TOC) - Plan View
- +1.000 Top of Finished Floor (TOF) - Plan View
- +1.000 Top of Concrete (TOC) - Section
- +1.000 Top of Finished Floor (TOF) - Section
- 100 Embedded Part Number
- B = Beam
- FB = Foundation beam
- UB = Upstand Beam
- BL = Bottom Level
- TL = Top Level
- CL = Centeline
- BO = Beam Opening
- WO = Wall Opening
- CO = Ceiling Opening
- th = THICKNESS

